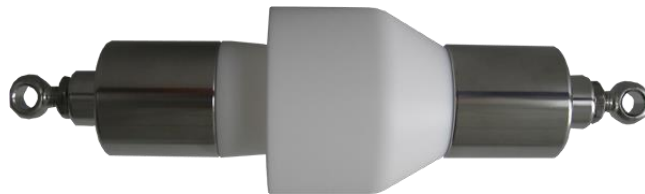


## Product Information

### Strain Insulator GT 300

PTFE insulators are not affected by any aggressive media which are likely to be encountered aboard seagoing ships. At tropical temperatures, immunity to attack by chemicals is guaranteed for inorganic acids in concentrations up to 20%, alkalis, aqueous solutions of inorganic salts, organic acids, alcohols, aldehydes, ketones, esters, and amines and, of course, sea water.



Also, PTFE insulators do not absorb moisture if immersed in water for a long time. The build-up of ice or dust is largely prevented by the water-repellent surface. The GT 300 is equipped with electrolytic polished fittings.

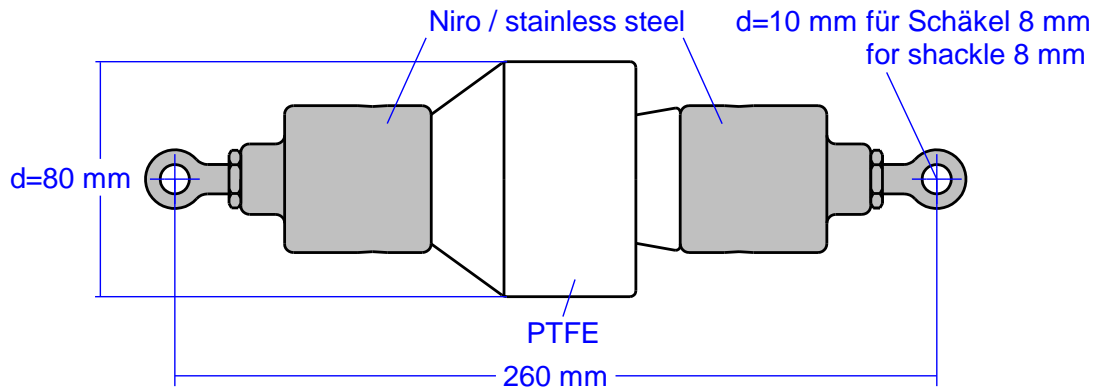
PTFE insulators have excellent electrical characteristics, for example an extremely high insulation resistance, negligible surface conductivity, low dielectric loss factor and a good resistance to creepage currents and arcing. There is no degradation of the electrical data in humid environments.

#### Technical Data

Parameter	Data
Application	strain insulator for wire antennas
Dimension	290 x 80 mm
Ambient temperature	-60°C...+150°C
Water absorption	none
Breaking load	18 kN
Safe working load	6 kN
Material insulator	PTFE (Teflon)
Material fittings	stainless steel (1.4401)
Max. operating voltage	50 kV
Dielectric constant	2,1 (0,4 - 30 MHz)
Tangents Delta	0,0003 (0,4 - 30 MHz)

Data given without tolerance are typical values.  
 Design and specification are subject to change without prior notice, errors excepted.

## Dimensions and Weight



**GT 300**  
**1.5 kg**

## Scope of Supply

Pos.	Description
1	Strain Insulator GT 300

## Order Information

Type Designation	Part No. NSN	Description
GT 300	0006.0700.00 5970-12-331-6717	Strain Insulator